

ADS PrimeProbe<sup>®</sup>2 powered by Primayer

## Installation of the ADS PrimeProbe2

The ADS PrimeProbe<sup>®</sup>2 is a bi-directional insertion flowmeter for use in managing water distribution systems. It has no moving parts making it reliable and ideal for use over a wide range of flows. PrimeProbe2 is suitable for use in pipe sizes from 4" to 48" (larger sizes available upon request).

### Install the PrimeProbe2

With a valve installed on the pipe you are ready to insert the PrimeProbe2. Decide if you want to install on the center-line of the pipe (1/2-pipe) or at the mean velocity point (1/8 or 7/8-pipe). Center-line installation allows for a greater margin of error if not installed exactly on the center-line. 1/8 pipe is used if the probe length cannot reach the center-line. For best accuracy measure the pipe internal bore.

Beware when performing 7/8 insertion on larger pipes as excessive velocity can cause damage.

### Procedure

1) For required insertion depth determine the distance between top edge of reference ring and bottom edge of converter box (called Z-value). Secure the reference ring at this value.

Insertion Depth	Z-value
1/8D	$L - (X = S + 1/8D + 110)$
1/2D	$L - (X = S + 1/2D + 110)$
7/8D	$L - (X = S + 7/8D + 110)$

D = Internal diameter of pipe S = Pipe thickness  
L = (see table below)

Insertion Length	L
300mm	650mm
500mm	850mm
700mm	1050mm
1000mm	1350mm

2) Before continuing, ensure that the anti-bounce chain is attached and secure

3) Tighten the two side-screws

4) With probe fully retracted, screw the 1-inch sensor sleeve into the pipe

5) Slowly open the ball valve. Ensure that the valve is 100% open.

6) Loosen the two side-screws

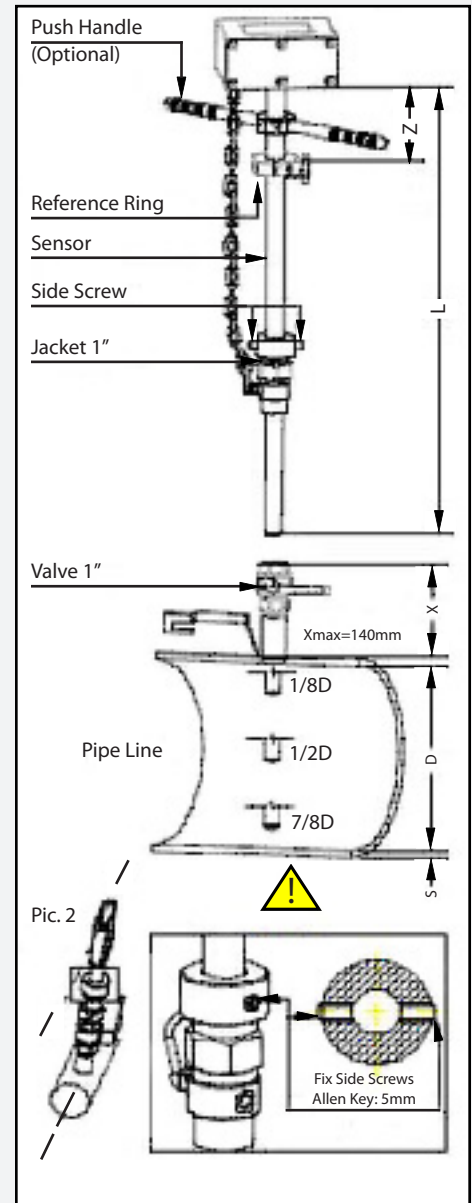
7) Slowly push probe through the open valve until the reference ring touches the locking collar

8) Verify that the push handles are exactly in alignment with the pipe's axis ( $\pm 2$  degrees)

9) Tighten the two side-screws

10) Carefully bleed the pressure tapping to allow any trapped air to escape

11) When installation is complete, turn switch "ON" as defined in PrimeProbe2 Quick Reference Guide (Precautions and Switch-on)



The ADS PrimeProbe2 bi-directional insertion flowmeter