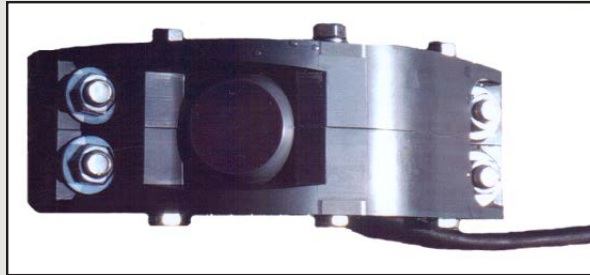


# Model 7618 Low Profile Vertical Array Transducer

## About Accusonic

Accusonic Technologies, a division of ADS LLC, designs and manufactures ultrasonic transit-time flow measurement systems that are renowned for their precise accuracy and reliability in difficult operating environments. Accusonic flowmeters can be found in hydroelectric plants, thermal power plants, water and wastewater treatment facilities, sewage collection systems, and other types of water flow conveyance pipelines and channels. Since 1967, Accusonic has installed thousands of systems worldwide, and offers a full range of services including installation and startup, system verification, turbine performance testing services, and field training.



Accusonic Model 7618 Low Profile Vertical Array Transducer Assembly

The Model 7618 Transducer is designed for use on vertical or near vertical concrete walls in closed conduits - such as low-head hydroelectric intakes - and in open channels or canals. Operating at 500-kHz frequency, the 7618 is suitable for conduits/channels up to 80 feet (25 meters) wide.

The Model 7618 features a ball-type transducer element that is seated in a protective mount that minimizes protrusion of the transducer into the channel and facilitates transducer alignment and cabling. Once the mounting assembly has been installed, the transducer "ball" element can be rotated up to 30 degrees in any direction to align it with its opposing transducer before being permanently secured.

The adjustment capability allows the 7618 transducer to be installed with shallow path angles, making it suitable for measurement in short straight sections (as little as 0.35 x width). The cable may feed out either side of the transducer mount, which also serves as protection for the transducer element.

Constructed of PVC and other nonmetallic materials, the 7618 and its mount assembly provide excellent resistance to the effects of chemicals, corrosives and similar agents found in hostile metering environments. For low-head hydroelectric intakes and other sites where multiple acoustic paths are required for high flowmeter accuracy, the 7618 provides a low-cost option due to the ease of alignment and cabling.



## DESIGN SPECIFICATIONS

### Applications:

Vertical and near-vertical concrete channel walls in closed conduits - such as low-head hydroelectric intakes - and open channels or canals. Suitable for acoustic path lengths up to 80 feet (25 meters), when connected to an Accusonic Model 7500™/7510™ series flowmeter.

\* Maximum acoustic path length depends on sediment concentration and aeration. Contact Accusonic regarding application suitability.

### Operational Frequency:

500 kHz

### Maximum Operating Pressure:

100 psi (7 bar)

### Temperature Range:

-4 to 176 F (-20 to 80 C) Operating

-4 to 176 F (-20 to 80 C) Storage

### Construction Material:

Nonmetallic with Stainless Steel Hardware

### Dimensions (with Mount):

7-1/8 in. Length (181 mm)

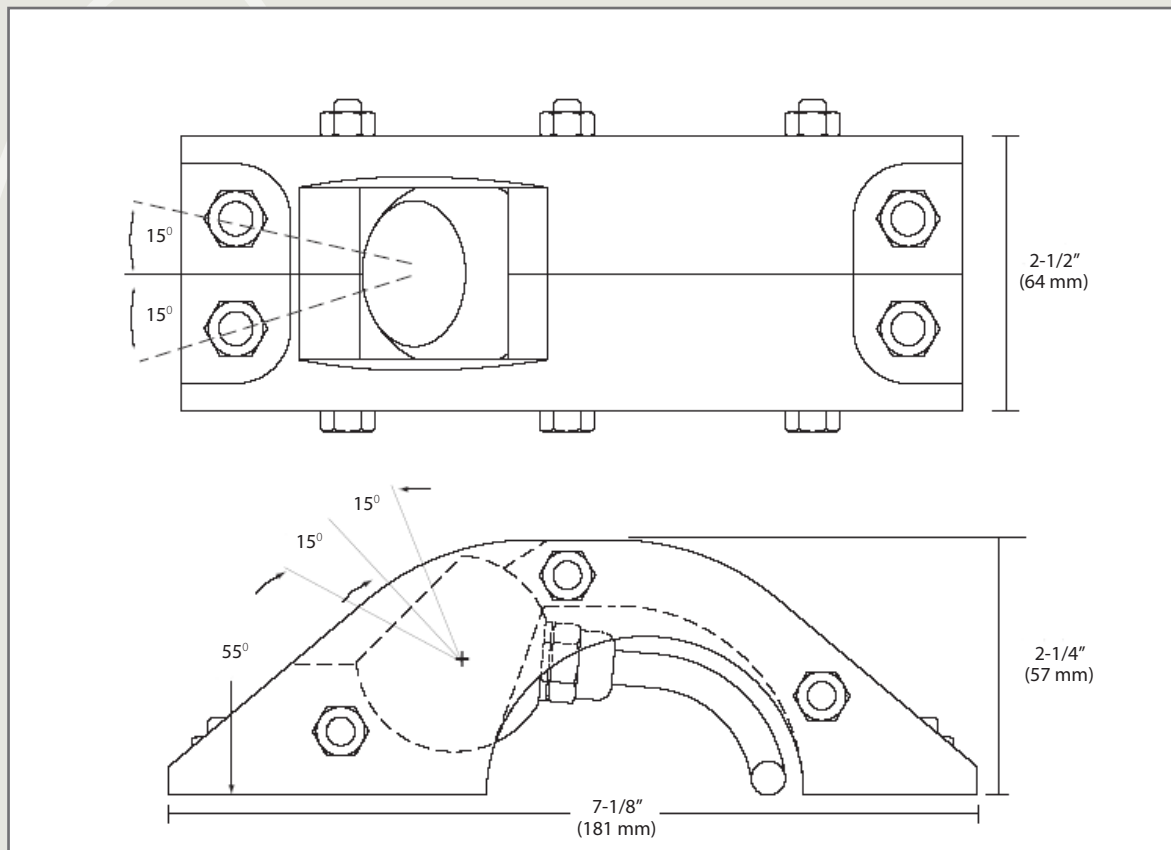
2-1/4 in. Height (57 mm)

2-1/2 in. Width (64 mm)

### Electrical Connection:

Two Conductor Female Underwater-Pluggable Neoprene Connectors

Contact Accusonic Technologies for information on transducers recommended for specialized applications.



**ACCUSONIC**®

A Division of ADS LLC

An IDEX Water Services & Technology Business.

